



Porteur House Bag Instructions

Hi there. Thanks for spending your hard-earned cash on this Surly product. Surly stuff is designed to be useful and durable. We're confident it will serve you well for years to come.

⚠ WARNING: Cycling can be dangerous. Bicycle products should be installed and serviced by a professional mechanic. Never modify your bicycle or accessories. Read and follow all product instructions and warnings including information on the manufacturer's website. Inspect your bicycle before every ride. Always wear a helmet.

For additional safety information about all Surly products visit: surlybikes.com/safety

Porteur House Bag Compatibility and Intended Use

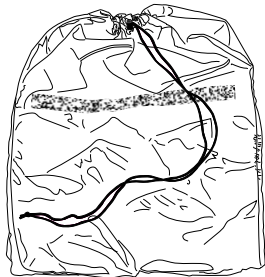
The Porteur House Bag was designed to fit our 24-Pack Rack. The versatile strap system also allows the bag to attach to many other porteur-style racks. Check with your bike shop or rack manufacturer for exact compatibility.

⚠ WARNING: Do not exceed the maximum cargo rating of your particular rack model. Exceeding the cargo limit of your rack could cause the rack to fail resulting in serious injury. Check rack manufacturer's specs to determine the maximum cargo weight limit of your rack.

Parts Included



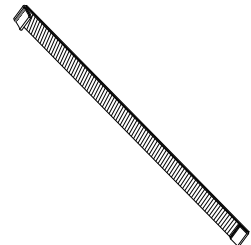
Small Liner Bag x 2



Large Liner Bag



Shoulder Strap



Velcro Closure Strap

Assembly of the Porteur House Bag

The Porteur House Bag comes with some parts that need to be assembled with the bag before installing the bag to your rack.

1. There are a total of three water-resistant liner bags (two small bags for the front pockets, one large bag for the Porteur House's large main compartment) that can be placed inside the bag's respective compartments for riding in wet conditions.
2. The shoulder strap can be clipped to the two D-rings located on each side of the bag's opening. The shoulder strap should be removed during transport (Figure 1a and Figure 1b).
3. The Velcro Closure Strap is designed to aid in keeping the bag closed during transport and attaches easily from the front of the bag over the roll-top closure to attach on the back of the Porteur House bag.

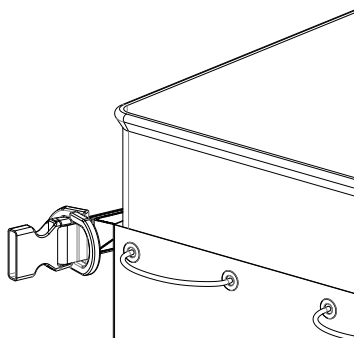


Figure 1a

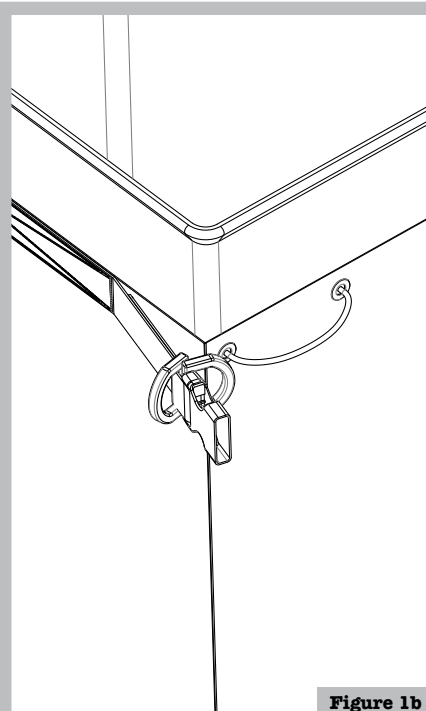


Figure 1b

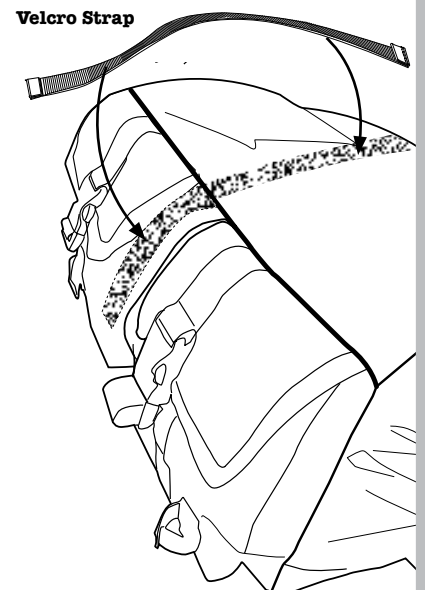
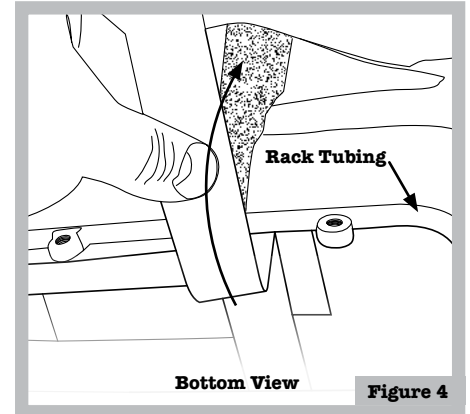
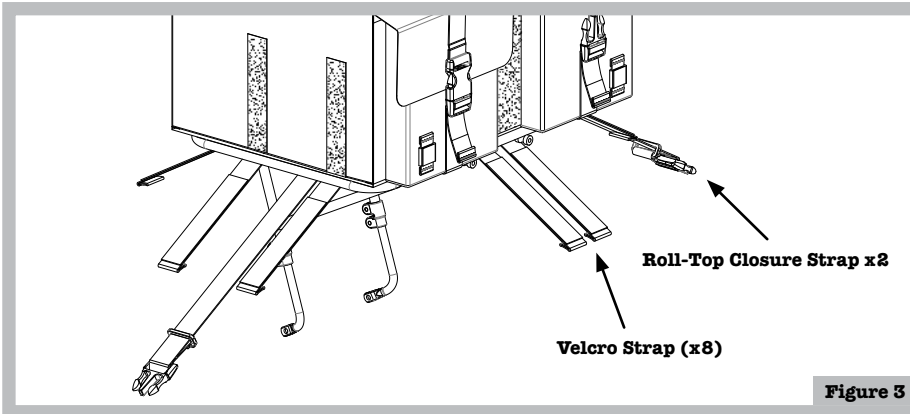


Figure 2

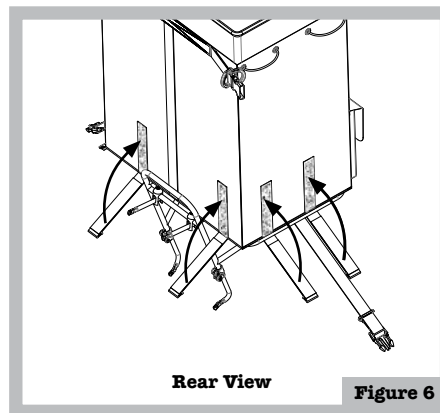
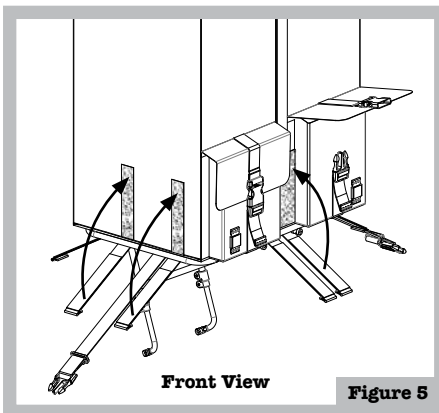
Installation of the Porteur House Bag

⚠WARNING: Secure all loose straps and cargo to avoid entanglement or damage to your product. Unsecured straps or cargo may cause a crash resulting in injury. The buckle should make a noticeable “click” when properly buckled. Pull on the closure straps to ensure that it is properly buckled.



1. With your bicycle securely standing upright, place the Porteur House Bag on top of the rack platform (Figure 3).

2. Secure Velcro straps around the rack platform tubes and back on to the bag, securing the bag to your rack (Figure 4). Use the roll-top closure straps as extra security by passing the buckles around the rack tubes before buckling the roll-top closure.



3. Attach each Velcro strap (Eight total, two on each side, two on back (Figure 5), two up front (Figure 6)).

Ongoing Maintenance

Periodically check your Porteur House Bag for any signs of excessive wear. Ensure that each strap on your Porteur House Bag is secured and does not interfere with any moving parts on your bicycle. Spot clean with warm, soapy water as needed.

Limited Warranty

This Surly product is warranted against defects in materials and workmanship for one year from the date of retail purchase of the product, subject to the limitations detailed below. Save your dated receipt for proof of purchase.

This warranty does NOT cover the following:

- Damage due to improper assembly or follow-up maintenance or lack of skill, competence or experience of the user or assembler
- Products that have been modified, neglected, used in competition or for commercial purposes, misused or abused, involved in accidents or anything other than normal use
- Installation of components, parts or accessories not originally intended for or compatible with Surly product as sold
- Damage or deterioration to the paint, surface finish, aesthetics or appearance of the product
- Normal wear and tear
- Labor required to remove and/or refit and re-adjust the product within the bicycle assembly

This limited warranty is expressly limited to the repair or replacement of a defective product, at the option of Surly, and is the sole remedy of the warranty. This limited warranty applies only to the original purchaser of the Surly product and is not transferable. This warranty applies only to products purchased through an authorized dealer or distributor. In no event shall Surly be liable for any loss, inconvenience or damage, whether direct, incidental, consequential, or otherwise resulting from breach of any express or implied warranty or condition, of merchantability, fitness for a particular purpose, or otherwise with respect to our products except as set forth herein.

This limited warranty gives the consumer specific legal rights, and those rights and other rights may vary from place to place. This limited warranty does not affect your statutory rights.

TO THE EXTENT NOT PROHIBITED BY LAW, THESE WARRANTIES ARE EXCLUSIVE AND THERE ARE NO OTHER EXPRESS OR IMPLIED WARRANTIES OR CONDITIONS INCLUDING WARRANTIES OR CONDITIONS OF MERCHANTABILITY AND FITNESS FOR A PARTICULAR PURPOSE.

OTHER PRODUCTS:

Give us a call for a free catalog or visit our website to check out all our stuff—you won't be disappointed.

Surly

6400 West 105th Street
Bloomington, MN 55438

The Watts Line: 877.743.3191

The Email: derby@surlybikes.com

The Web Address: surlybikes.com