



Chainring Instructions

Hi there. Thanks for spending your hard-earned cash on this Surly product. Surly stuff is designed to be useful and durable. We're confident it will serve you well for years to come.

⚠WARNING: Cycling can be dangerous. Bicycle products should be installed and serviced by a professional mechanic. Never modify your bicycle or accessories. Read and follow all product instructions and warnings including information on the manufacturer's website. Inspect your bicycle before every ride. Always wear a helmet.

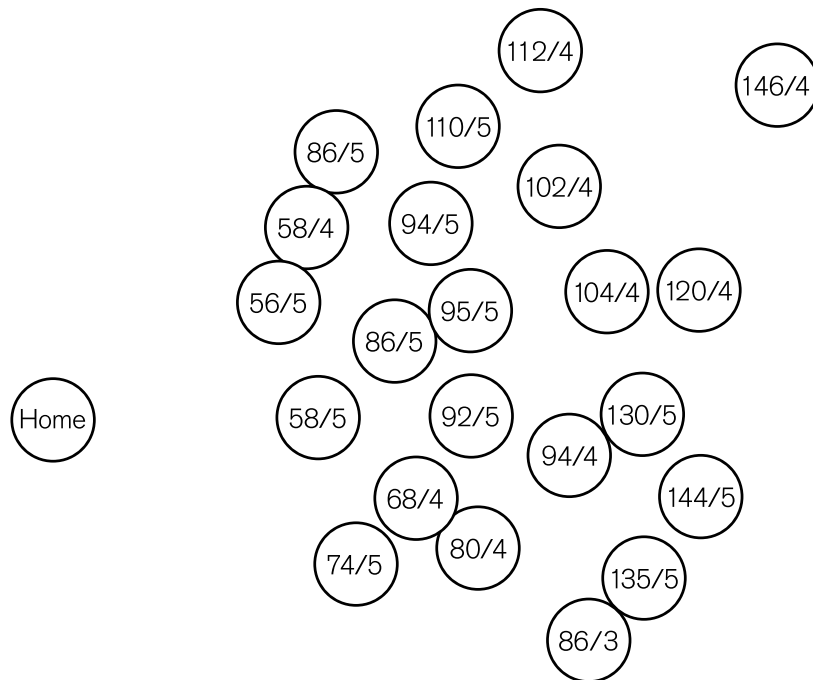
For additional safety information about all Surly products visit: surlybikes.com/safety

Chainring Compatibility and Intended Use

If you are unsure which bolt circle diameter fits your crank, please refer to the chart below to see how to properly measure it. Please refer to surlybikes.com for all available bolt circle diameters (BCD), tooth counts, and construction materials.

NOTE: The Surly Narrow Wide chainrings are only compatible with 10- and 11-speed chains.

BCD CHART



NOTE: Place center of drive side crankarm over "home", and pivot crankarm until chainring hole lines up with numbered outer circle.

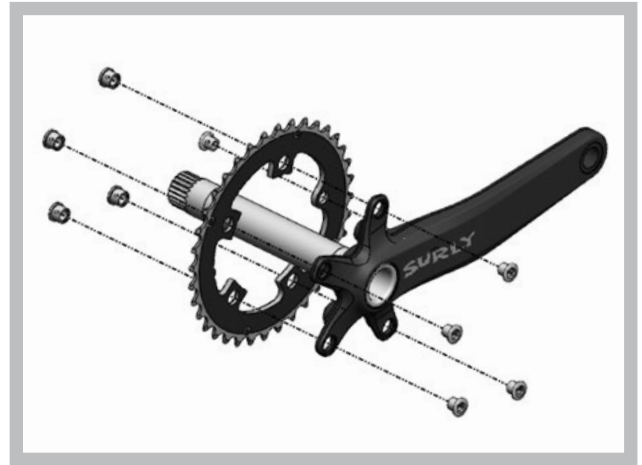
Tools Required for Installation

- Torque wrench
- Chainring nut wrench
- Grease
- Appropriate wrench for your chainring bolts

NOTE: For installation of chainrings specific to the MWOD or O.D. crank, please refer to either the instructions that were included with your crankset, or the instructions on surlybikes.com.

Installation of the Chaining

1. Remove crankset from bottom bracket.
2. Remove chainrings you wish to replace.
3. Clean crankarm and chainring bolts thoroughly.
4. Grease chainring bolts and install your Surly chainring.
For alloy chainrings with machined shifting ramps, the ramps should be facing the inside of the crank.
5. Install the chainring nuts from the back of the crank spider.
6. Install the chainring bolts through the front of the chainring and alternately tighten them evenly to chainring bolt manufacturer's specifications.



Ongoing Maintenance

Periodically check to make sure the chainring bolts are properly torqued, and the chainrings do not show excessive wear or damage. Remember to keep your chain and chainrings well lubricated, and remember to inspect these and all other components for excessive wear, accidental damage, and premature failure before every ride.

Limited Warranty

This Surly product is warranted against defects in materials and workmanship for one year from the date of retail purchase of the product, subject to the limitations detailed below. Save your dated receipt for proof of purchase.

This warranty does NOT cover the following:

- Damage due to improper assembly or follow-up maintenance or lack of skill, competence or experience of the user or assembler
- Products that have been modified, neglected, used in competition or for commercial purposes, misused or abused, involved in accidents or anything other than normal use
- Installation of components, parts or accessories not originally intended for or compatible with Surly product as sold
- Damage or deterioration to the paint, surface finish, aesthetics or appearance of the product
- Normal wear and tear
- Labor required to remove and/or refit and re-adjust the product within the bicycle assembly

This limited warranty is expressly limited to the repair or replacement of a defective product, at the option of Surly, and is the sole remedy of the warranty. This limited warranty applies only to the original purchaser of the Surly product and is not transferable. This warranty applies only to products purchased through an authorized dealer or distributor. In no event shall Surly be liable for any loss, inconvenience or damage, whether direct, incidental, consequential, or otherwise resulting from breach of any express or implied warranty or condition, of merchantability, fitness for a particular purpose, or otherwise with respect to our products except as set forth herein.

This limited warranty gives the consumer specific legal rights, and those rights and other rights may vary from place to place. This limited warranty does not affect your statutory rights.

TO THE EXTENT NOT PROHIBITED BY LAW, THESE WARRANTIES ARE EXCLUSIVE AND THERE ARE NO OTHER EXPRESS OR IMPLIED WARRANTIES OR CONDITIONS INCLUDING WARRANTIES OR CONDITIONS OF MERCHANTABILITY AND FITNESS FOR A PARTICULAR PURPOSE.

Surly

6400 West 105th Street
Bloomington, MN 55438

The Watts Line: 877.743.3191

The Email: derby@surlybikes.com

The Web Address: surlybikes.com