

Stub Axle Bolt Instructions

Hi there. Thanks for spending your hard-earned cash on this Surly product. Surly stuff is designed to be useful and durable. We're confident it will serve you well for years to come.

⚠️WARNING: Cycling can be dangerous. Bicycle products should be installed and serviced by a professional mechanic. Never modify your bicycle or accessories. Read and follow all product instructions and warnings including information on the manufacturer's website. Inspect your bicycle before every ride. Always wear a helmet.

For additional safety information about all Surly products visit: surlybikes.com/safety

Trailer Stub Axle Bolt Compatibility and Intended Use

The Trailer Stub Axle Bolts are DRIVE SIDE and NON-DRIVE SIDE specific. The Trailer Stub Axle Bolts are designed to work with the Bill and Ted trailers. They are not intended for any other use.

1. BTO010—Surly Trailer Non-Drive Side (ND) Stub Axle RH Thread with Fixing Bolt and wheel offset washer (Figure 1)
2. BTO011—Surly Trailer Drive Side (D) Stub Axle LH Thread with Fixing Bolt and wheel offset washer (Figure 2)
3. BTO016—Non-Drive Side RIGHT HAND THREAD Fixing Bolt and wheel offset washer (Figure 3)
4. BTO017—Drive Side LEFT HAND THREAD Fixing Bolt and wheel offset washer (Figure 4)

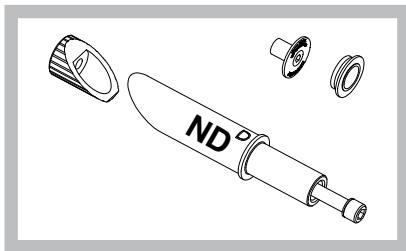


Figure 1

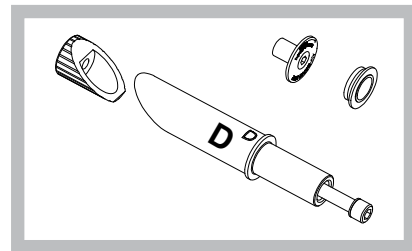


Figure 2

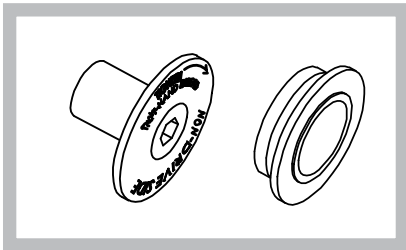


Figure 3

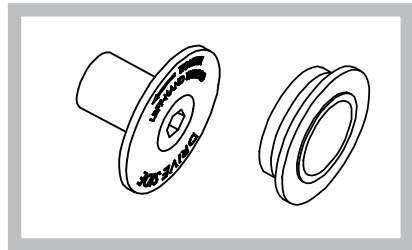
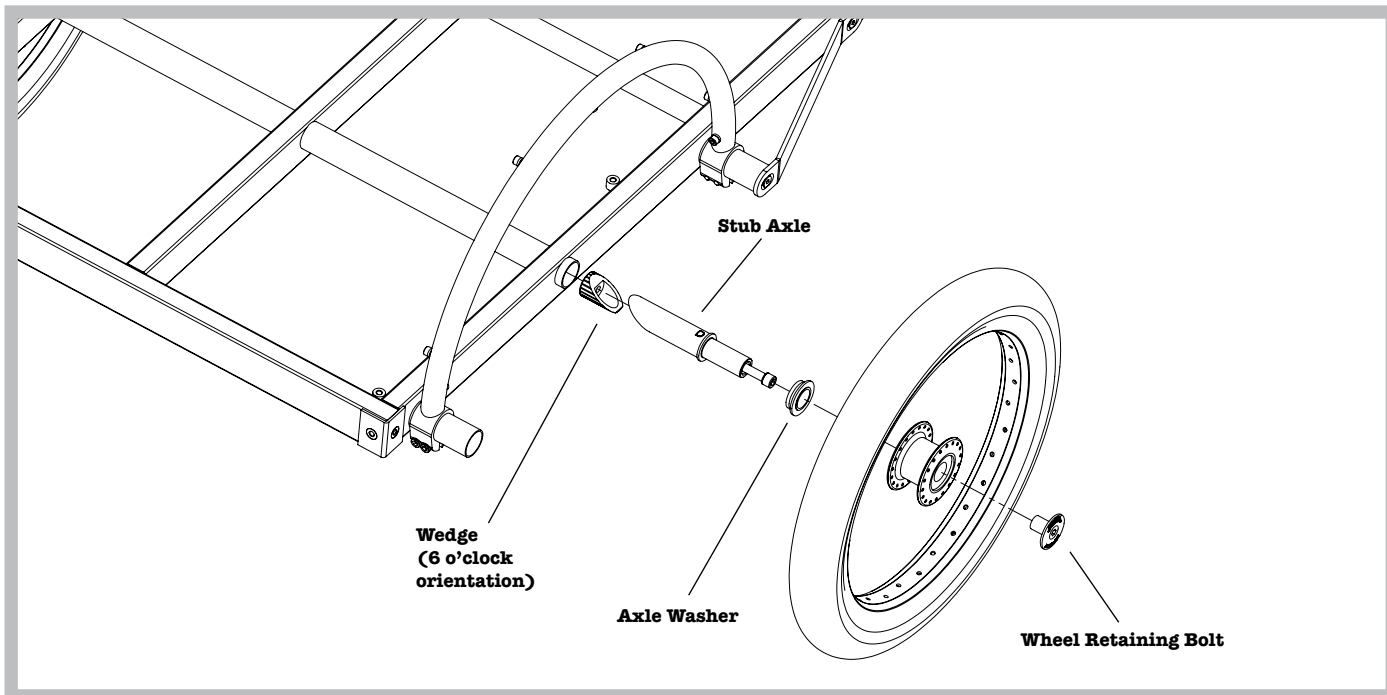


Figure 4

Tools Required for Installation

- 6mm hex wrench
- Grease
- A medium strength thread locking compound
- Torque wrench that measures in Nm

Installation of the Trailer Stub Axle Bolt



1. Apply a light coating of grease to the entire inside of the trailer where the stub axles are inserted, the interface between the wedge and the axle, and on the threads of the internal bolt, and fully insert the axles into the trailer bed axle tube. **NOTE:** The stub axles for each side of your trailer are different! The stub axle marked 'D' goes into the right side of the trailer bed (bicycle drive side) and the stub axle marked 'ND' goes into the left side of the trailer bed (bicycle non-drive side).
2. During installation, rotate the stub axles so that the wedges are orientated in the 6 o'clock position. Finally, tighten the wedge bolts (torque = 20 Nm) to hold the stub axles in the trailer bed.
3. To install the wheels, grease the outside of the Trailer Stub Axle Bolt and place the wheel offset washer, smaller diameter end first, over the end of the Trailer Stub Axle Bolt with the proper wheel retaining bolt. Check the threads of the retaining bolts in your kit for a light blue dollop of thread locking compound. If some has already been applied, DO NOT apply more. If there is none present, apply a small amount of medium strength thread locking compound to the threads. Install the bolts and torque to 30 Nm.

NOTE: The wheel retaining bolts for each side of your trailer are different! The drive side bolt has left-hand threads and the non-drive side has right-hand threads. Markings on the bolt head will tell you which bolt to use on which side of the trailer.

Ongoing Maintenance

Periodically check to make sure the Trailer Stub Axle Bolts are properly tightened to the specified torque. Annually remove the Trailer Stub Axle Bolts from the trailer to reapply grease to prevent any parts seizing due to corrosion.

Limited Warranty

This Surly product is warranted against defects in materials and workmanship for one year from the date of retail purchase of the product, subject to the limitations detailed below. Save your dated receipt for proof of purchase.

This warranty does NOT cover the following:

- Damage due to improper assembly or follow-up maintenance or lack of skill, competence or experience of the user or assembler
- Products that have been modified, neglected, used in competition or for commercial purposes, misused or abused, involved in accidents or anything other than normal use
- Installation of components, parts or accessories not originally intended for or compatible with Surly product as sold
- Damage or deterioration to the paint, surface finish, aesthetics or appearance of the product
- Normal wear and tear
- Labor required to remove and/or refit and re-adjust the product within the bicycle assembly

This limited warranty is expressly limited to the repair or replacement of a defective product, at the option of Surly, and is the sole remedy of the warranty. This limited warranty applies only to the original purchaser of the Surly product and is not transferable. This warranty applies only to products purchased through an authorized dealer or distributor. In no event shall Surly be liable for any loss, inconvenience or damage, whether direct, incidental, consequential, or otherwise resulting from breach of any express or implied warranty or condition, of merchantability, fitness for a particular purpose, or otherwise with respect to our products except as set forth herein.

This limited warranty gives the consumer specific legal rights, and those rights and other rights may vary from place to place. This limited warranty does not affect your statutory rights.

TO THE EXTENT NOT PROHIBITED BY LAW, THESE WARRANTIES ARE EXCLUSIVE AND THERE ARE NO OTHER EXPRESS OR IMPLIED WARRANTIES OR CONDITIONS INCLUDING WARRANTIES OR CONDITIONS OF MERCHANTABILITY AND FITNESS FOR A PARTICULAR PURPOSE.

Surly

6400 West 105th Street
Bloomington, MN 55438

The Watts Line: 877.743.3191

The Email: derby@surlybikes.com

The Web Address: surlybikes.com